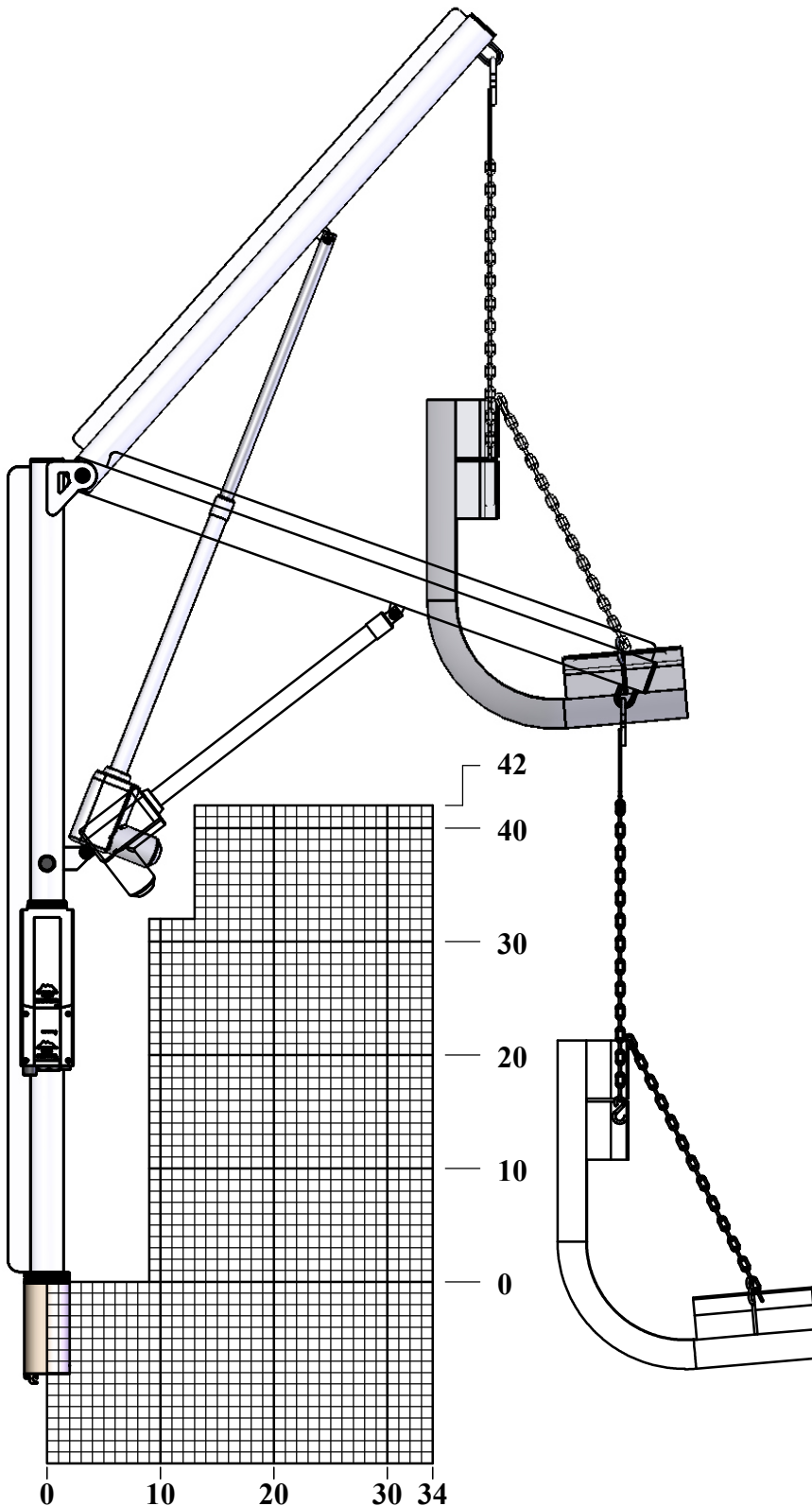


# SUPER POWER EZ LIFT GRAPH

MINIMUM SETBACK = 21"  
 MAXIMUM SETBACK = 24"

DRAW YOUR PROFILE ON THE GRAPH USING THE CENTER OF THE ANCHOR AS YOUR START POINT. ALL GRAPH LINES ARE IN 1" INCREMENTS.



**CHAINS ADJUSTED TO LOWEST POSITION**

**strack** Liftsysteme

Strack AG  
 Ebnatstrasse 125  
 8200 Schaffhausen

Tel. 0800 600 500  
 Fax 0800 600 900

www.strack.ch  
 info@strack.ch

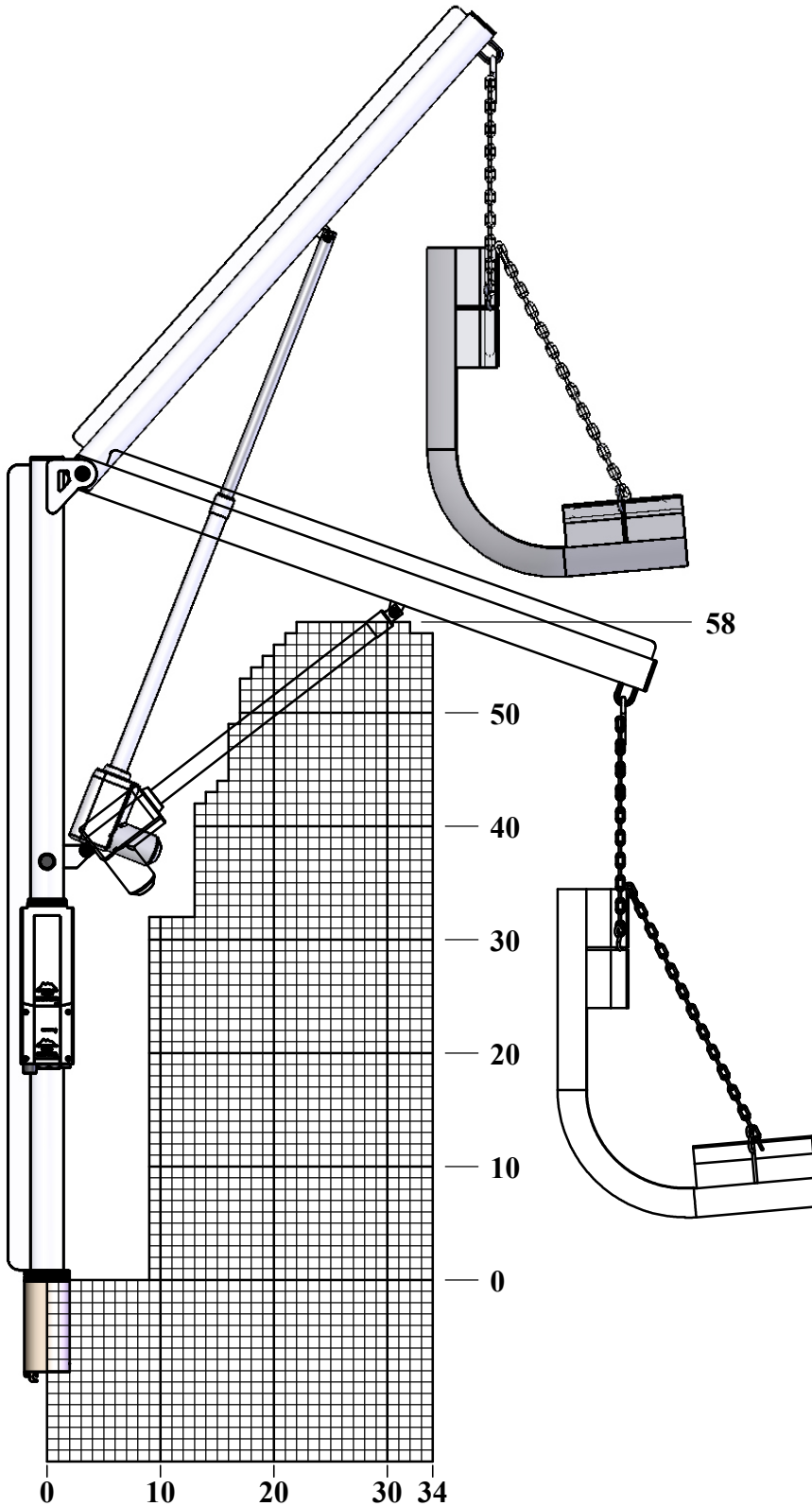
ZSR-Nr. K 7514.14  
 NIF-Nr. 366 824  
 MWST-Nr. 567 970

PRODUCT:		SUPER POWER EZ	
PART #:		F-190PHBL	
SCALE:	1:16	DATE:	12/23/2016
DRAWN BY:	KR	REVISION:	A

# SUPER POWER EZ LIFT GRAPH

MINIMUM SETBACK = 21"  
 MAXIMUM SETBACK = 24"

DRAW YOUR PROFILE ON THE GRAPH USING THE CENTER OF THE ANCHOR AS YOUR START POINT. ALL GRAPH LINES ARE IN 1" INCREMENTS.



**CHAINS ADJUSTED TO HIGHEST POSITION**



9889 GARRYMORE LANE  
 MISSOULA, MT 59808  
 (406) 549-0769  
 FAX (406) 549-2602

PRODUCT:		SUPER POWER EZ	
PART #:		F-190PHBL	
SCALE:	1:16	DATE:	12/23/2016
DRAWN BY:	KR	REVISION:	A