



USE AND MAINTENANCE MANUAL

# PORTABLE POOL LIFT WITH AUTOMATIC ROTATION



Copyright: **DIGI PROJECT S.N.C.**

Publication: January 2021

Address of the Manufacturer:

*DiGi Project s.n.c.*  
Via Aldo Moro, 25  
46020 Pegognaga  
MANTOVA  
ITALY

Website:

[www.digiproject.biz](http://www.digiproject.biz)

E-mail:

[info@digiproject.biz](mailto:info@digiproject.biz)

**Any copy or alteration of this manual is not allowed.**

Machine delivery date:

---

**strack** Liftsysteme

Strack AG  
Ebnatstrasse 125  
8200 Schaffhausen

Tel. 0800 600 500  
Fax 0800 600 900

www.strack.ch  
info@strack.ch

ZSR-Nr. K 7514.14  
NIF-Nr. 366 824  
MWST-Nr. 567 970

The manual is divided in eight sections with their own symbol.

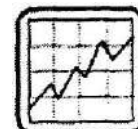
**Section A** (General information)

Some general and very important information to become familiar with **PELICAN POOL, portable pool lift with automatic rotating arm**, are reported. Moreover, the data for the exact identification of the mobile pool lift are contemplated. Competences, requirements and other very important information for the operator are specified.



**Section B** (Technical specifications)

This section includes all the specifications for the portable pool lift in its standard version.



**Section C** (Safety rules and devices)

All the information related to the safety of both the unit and the operator.



**Section D** (Operator)

Skills, requirements and other very important information for the operator are specified.



**Section E** (Controls and devices)

The various controls and instruments on the machine are explained and illustrated.



**Section F** (Operating instructions)

The unit movements are described and illustrated.



**Section G** (Maintenance)

Everything related to the periodicity and the maintenance operations of the mobile pool lift is reported, with cards and tables.



**Section H** (Service coupons)

The forms to be completed for the maintenance operations and an example of the data that must be transcribed are shown.



**Table of contents**

- 1 Addresses
- 2 Sections index
- 3 Topics index

**SECTION A GENERAL INFORMATION**

- A.01** General information
- A.02** Identification of the portable pool lift
- A.03** Plates
- A.04** Information for the user

**SECTION B TECHNICAL SPECIFICATIONS**

- B.01** Allowed use
- B.02** Technical features
- B.03** Overall dimensions
- B.04** Unit diagrams

**SECTION C SAFETY RULES AND DEVICES**

- C.01** General safety information
- C.02** Safety devices
- C.03** Emergency

**SECTION D OPERATOR**

- D.01** Necessary requirements
- D.02** Duties and responsibility

**SECTION E CONTROLS AND DEVICES**

- E.01** General controls

**SECTION F OPERATING INSTRUCTIONS**

- F.01** Introduction
- F.02** Unit transfer
- F.03** Quick operating instructions

**SECTION G MAINTENANCE**

- G.01** Introduction
- G.02** Check list
- G.03** Disposal

**SECTION H SERVICE COUPONS**

- H.01** Check coupons
- H.02** Maintenance suggestions
- H.03** Warranty

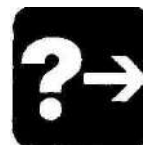
**Section A (General information)**

In this manual you will find symbols accompanied by text.

The purpose of these symbols is to underline warnings or suggestions regarding a particular situation.

**INSTRUCTIONS**

It is used when it is intended to provide the operator with guidance on prohibited or recommended methods or procedures.

**ATTENTION**

It is used to warn the operator about conditions or situations that could be dangerous for the structure or the person being transported.

**DANGER**

It is used to alert the operator about conditions or situations that may be dangerous for the operator or other people near the machine.

**ASSISTANCE / SUPERVISION BY AN OPERATOR**

This symbol indicates that certain operations require at least two people.



**Identification of the portable pool lift PELICAN POOL model**

On the PELICAN POOL lift there is an aluminium identification plate (pic. 1) in which you can find the following entries:

- 1 REF - Model
- 2 S/N – Serial Number
- 3 MAX LOAD – Maximum Load
- 4 POWERED – Tension
- 5 Year of production



(pic. 1)

**Applied stickers:**Instructions

The main safety warnings for the use of the portable pool lift PELICAN POOL.

Prohibition

Prohibited conduct as regards the use of the portable pool lift.

Compulsory rules

The necessary steps to be followed for a correct use of the portable pool lift.

(pic. 2)

(pic. 2)

 <b>WARNINGS</b> 
<p>BEFORE ACTIVATING THE LIFT, MAKE SURE THAT THE WORKING AREA IS FREE FROM OBSTACLES.</p> <p>MAKE SURE THAT THE PATH IS FREE FROM OBSTACLES OR DIFFERENCES IN HEIGHT THAT THE MACHINE WOULD NOT BE ABLE TO OVERCOME</p> <p>MAKE SURE THAT THE WORKING AREA IS FREE FROM PEOPLE OR THINGS</p> <p>MAKE SURE THAT THE PASSENGER'S VENTRAL SEAT BELT IS PROPERLY FASTENED</p> <p>MAKE SURE THAT THE ARMS OF THE PERSON BEING CARRIED ARE RESTING ON THE ARMRESTS OF THE LIFT</p> <p>RESPECT THE MAXIMUM LOAD CAPACITY OF THE LIFT OF 140 KG, BEARING IN MIND THAT ONLY ONE PERSON MUST BE CARRIED AT A TIME</p> <p>MAKE SURE THAT THE FRONT WHEELS ARE AT A MINIMUM DISTANCE OF 10/15 CM FROM THE POOL EDGE</p> <p>BRAKE THE LIFT WITH THE BRAKES ON THE REAR WHEELS AND STABILISE IT BEFORE STARTING ANY OPERATION</p> <p>MAKE SURE THAT THE PERSON IS WELL POSITIONED ON THE SEAT AND HAS THE SEATBELT FASTENED BEFORE STARTING THE UP/DOWN MOVEMENTS AND THE RIGHT/LEFT ROTATION. AFTER USING THE LIFT, IT IS ADVISABLE TO REMOVE THE BATTERY AND CHARGE IT</p>
 <b>MANDATORY RULES</b> 
<p>APPLY THE PARKING BRAKE ON THE TWO REAR WHEELS BEFORE PROCEEDING WITH ANY OPERATION</p> <p>MAKE SURE THAT THE STABILIZING FEET ARE CORRECTLY OPENED AND LOCKED WITH APPROPRIATE LATCHES</p> <p>ADJUST THE SUPPORT FEET TO THE GROUND</p> <p>MAKE SURE THAT THE LIFT IS PROPERLY BRAKED</p> <p>FASTEN THE SEAT BELT</p>
 <b>PROHIBITIONS</b> 
<p>THE LIFT MUST BE USED ONLY BY TRAINED AND AUTHORIZED PERSONNEL.</p> <p>DO NOT USE THE LIFT ON:</p> <ol style="list-style-type: none"> <li>1) BUMPS</li> <li>2) HIGH INCLINATIONS</li> <li>3) UNEVEN TERRAIN</li> </ol> <p>DO NOT MOVE THE LIFT WITH:</p> <ol style="list-style-type: none"> <li>1) THE SEAT OUT OF THE REST POSITION</li> <li>2) THE PARKING BRAKE APPLIED</li> </ol> <p>DO NOT GET IN OR OUT OF THE CHAIR DURING THE MOVEMENT</p> <p>DO NOT LEAVE THE LIFT UNATTENDED WITHOUT THE BRAKE ON</p>
 <b>WARNING</b> 
<p>FOR THE GOOD MAINTENANCE OF THE BATTERY, CHARGE THE BATTERY OF THE LIFT AT LEAST ONCE A WEEK, FOR A DURATION OF ABOUT 10 HOURS, WHETHER THE LIFT IS USED OR NOT</p>
 <b>AVOID</b> 
<p>ABSOLUTELY TO COMPLETELY DISCHARGE THE BATTERY AND WET THE ELECTRICAL PARTS</p>
<b>PATENT PCT</b>

**Information for the user:**

In the following pages, the word "Manufacturer" refers to *DiGi Project s.n.c.*, as the manufacturer of the mobile pool lift PELICAN POOL.

This manual has been drawn up in accordance with the Machinery Directive 89/392 and subsequent amendments. The instructions for use given in the manual are those provided by the Manufacturer.

**WARNING:**

The user must be aware of the following areas of responsibility:

Manufacturer of the portable swimming pool lift Responsible for the the unit in the way it has been manufactured in the factory and for the use indicated in section B.

**WARNING:**

Check the following points when you receive the mobile pool lift :

- presence of the identification plate of the mobile pool lift with CE marking (applied by the Manufacturer).
- warning labels applied on the machine in the required language (country of use).
- presence of the user and maintenance manual in the required language.

**ATTENTION:**



Technical specifications, capacity, weight plates and other information are referred to the maximum unit performance in the way it is

made in the Manufacturer premises.

Any welding, damaging of electric or mechanical devices, replacing of non-genuine spare parts and removing of protection devices is forbidden.

Maintenance has to be done according to the indications given in the section G of this manual.

### **Tasks of responsibility**

#### Duties:

We refer to the operator and the use of the unit. That is to say the unit starting, the use of the unit devices and the maintenance.

The operator must be aware of the safety information and its correspondent devices together with the use of the unit controls.

#### Responsibility :

The operator is directly responsible for the unit use and working, its maintenance and every above-mentioned operation.



**SECTION B (Technical specifications)**Allowed use

The design of the PELICAN POOL portable pool lift meets all the requirements of the adopted standards in terms of breaking strength and resistance to repeated stress.

This portable pool lift has been designed with reference to UNI CNR 10011 standards.

It is intended to be used as a mobile lift for swimming pools access in order to facilitate the transport of people with walking difficulties, especially when entering and exiting swimming pool. During use, the operator who controls the operations of entering and exiting the water must comply with the instructions for use. The PELICAN POOL model allows the end user to use the lift in total autonomy thanks to the electric lifting arm with automatic rotation.

It is recommended that an operator is always present if the end user needs immediate assistance.

Any use other than the intended one by the manufacturer is prohibited.

Technical features

The allowed capacity corresponds to the maximum load placed on the seat and it is 140 kg.

**TECHNICAL DATA**

Maximum loading	140 KG
Maximum travel	1600 mm
Depth of seat inside the water	820 mm
Time of lowering with weight	25 sec.
Time of lifting with weight	20 sec.
Own weight	340 KG
Battery	12 V
Power	24 V

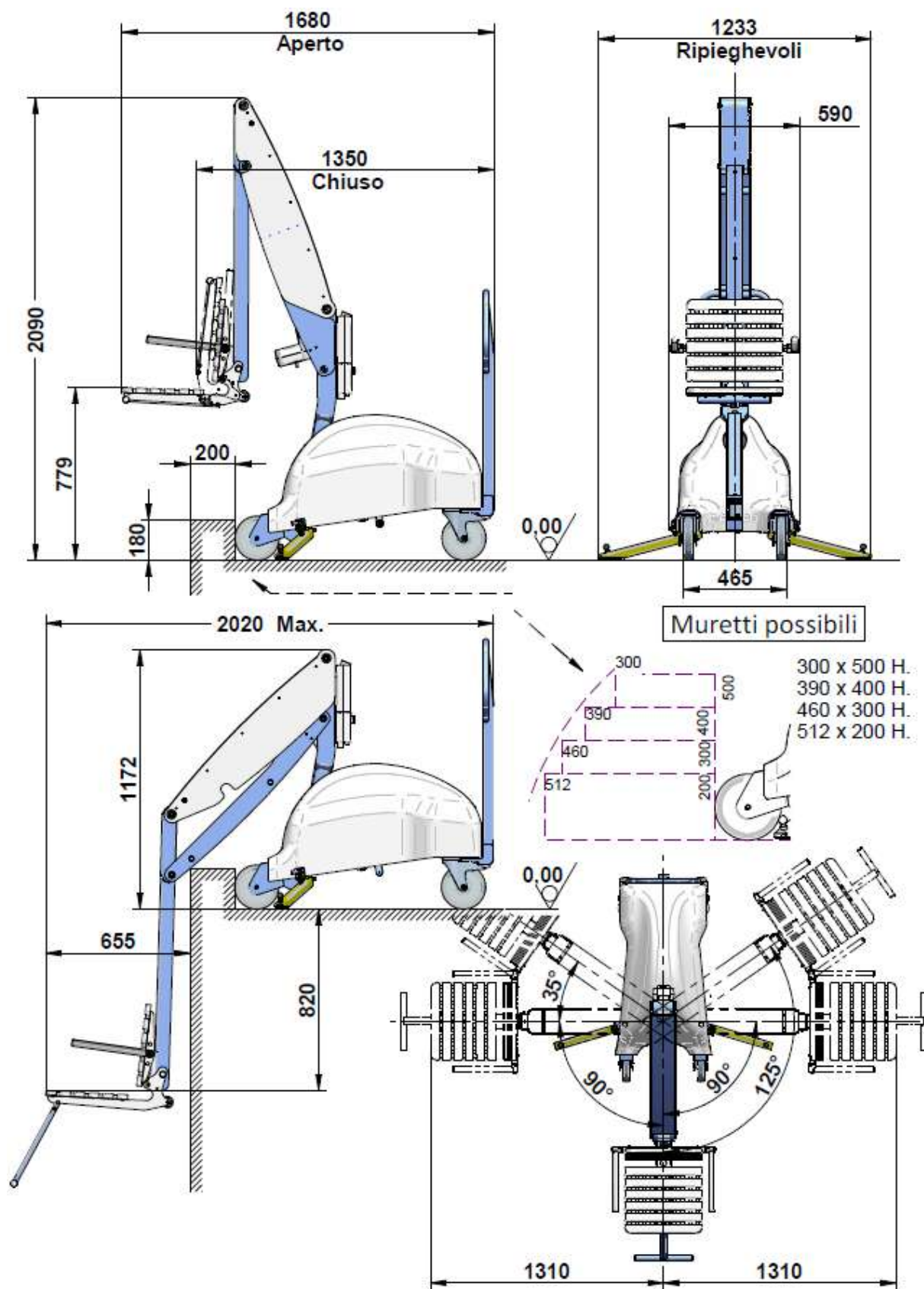
**ACCESSORIES**

4-point safety belt

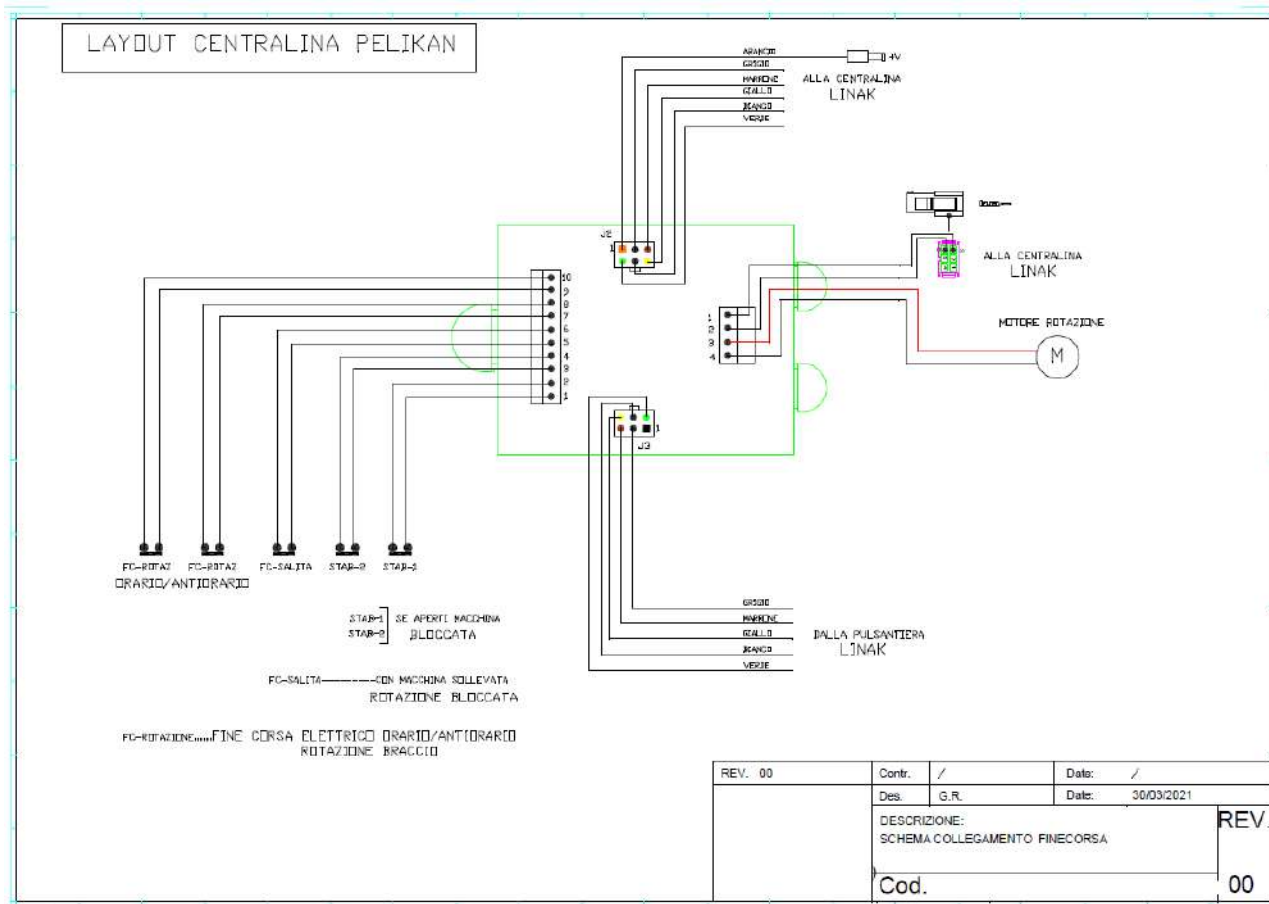
5-point safety belt

Cover

Overall dimensions



PELICAN POOL wiring diagram



**SECTION C (Safety rules and devices)**

General safety rules

The operator has to be familiar with the portable pool lift and, if necessary, to explain its operation to the end user and to maintain it in good working conditions. If in doubt, consult the User's Manual.

Only trained personnel may move the lift, position it and lock it using the brakes.

Do not use it on uneven ground or on steep slopes.

Do not use the lift to move loads of unknown mass.

Use the lift ensuring that the passenger is properly secured before any movement.

Check that the lift is properly braked before each use.

Make sure the unit is in stand-by position before re-starting.

Safety devices

- Parking brakes on rear wheels

- Emergency mushroom-shaped button

- Micro stabiliser feet

(if the stabiliser feet are not opened properly, the lift does not work).

- Micro arm

(if the lifting arm is not in a fully closed position, the rotation will not be activated).

- Right and left rotation stop micro

(Left and right arm rotation stop micro).

**SECTION D (Operator)**Necessary requirements

The user and/or the operator who uses or operates the PELICAN POOL mobile pool lift must be competent and must comply with the following characteristics:

**Physical**

Good eyesight, hearing, co-ordination and ability to safely perform all functions required for use. Absence of incapacitating disorders and infirmities or disorders due to drug and/or alcohol use.

**Mental**

Ability to understand and apply established rules and safety precautions, must be alert, use judgement for the safety of self and others; must be willing to perform work correctly and responsibly.

**Emotional**

Must be calm and able to cope with stress and use judgement with regard to his/her physical and mental condition.

**Training**

The operator must have read, studied and understood this manual, any attached charts and diagrams, and the warning and danger labels. Before starting any lifting operation with the "PELICAN POOL mobile pool lift", the operator must have familiarised with the use of the controls and their movements and carried out unloaded tests (without a person on board).



The PELICAN POOL model allows the end user to use the lift in total autonomy, thanks to the electric lifting arm with automatic rotation.

We always recommend the presence of an operator in case of need by the end user and immediate intervention.

Tasks and responsibility

## Tasks

In this context, reference is made only to the operator's tasks relating to the use of the portable pool lift, which range from activation of the power circuit, handling of the various parts, to maintenance.

The operator must, therefore, be fully familiar with the safety regulations and related devices, and the use of the handling controls.

## Responsibility

The operator is directly responsible for the use and correct operation of the portable pool lift, its maintenance, the load handled and any action he/she carries out as part of the tasks listed above.

**SECTION E (Controls and devices)**Push-button panel

The controls to operate the PELICAN POOL mobile lift are located on the push-button panel with spiral cable.



ARM WITH SEAT OPERATIONS  
PUSH BUTTON PANEL ARROWS

1. ARM ASCENT COMMAND
2. ARM DESCENT COMMAND
3. ARM ROTATION TO THE LEFT
4. ARM ROTATION TO THE RIGHT

PLEASE NOTE:

THE OPERATION OF RIGHT AND LEFT ROTATION OF THE ARM WITH SEAT MAY BE CARRIED OUT ONLY WITH THE CLOSED ARM.

\*\*THERE IS A SAFETY SYSTEM THAT DOES NOT ALLOW THE ROTATION WITH THE OPEN ARM.

Emergency mushroom-shaped button

The button is on the electrical box of the lift.

It has a mushroom shape and is red in colour.

The button is latching; once pressed, it must be unlocked by turning clockwise to return it to its normal position.



Parking brake on rear wheels



Battery support (removable)





**SECTION F (Operating instructions)**Introduction

This chapter describes all the movements and the exact sequence of operations to be carried out for the correct use of the mobile pool lift.



**DANGER:** It is absolutely forbidden to use the mobile pool lift on surfaces that are not horizontal.



**ATTENTION:** Before each use of the mobile pool lift, always check that the safety devices are working properly.

Moving the portable pool lift

The mobile pool lift moves only under the effect of the driver's push; it is not equipped with a motor for moving it. This movement is done by gripping the transfer bar which is located vertically at the rear of the lift.

Quick operating instructions

BEFORE USING THE LIFT, READ THE USER AND MAINTENANCE MANUAL CAREFULLY, IF IN DOUBT CONTACT THE MANUFACTURER / DISTRIBUTOR.

WE RECOMMEND THAT YOU FAMILIARIZE WITH THE USE OF THE LIFT, AWAY FROM THE BORDER OF THE SWIMMING POOL AND WITHOUT ANY PERSON SITTING ON IT.

1. CONNECT THE BATTERY, SUPPLIED IN THE SMALL BOX INSIDE THE PACKAGE, TO THE SPECIAL FIXING BRACKET ON THE COLUMN.





2. CONNECT THE 4-BUTTON CONTROL PANEL, ALWAYS SUPPLIED AND PRESENT IN THE BOX

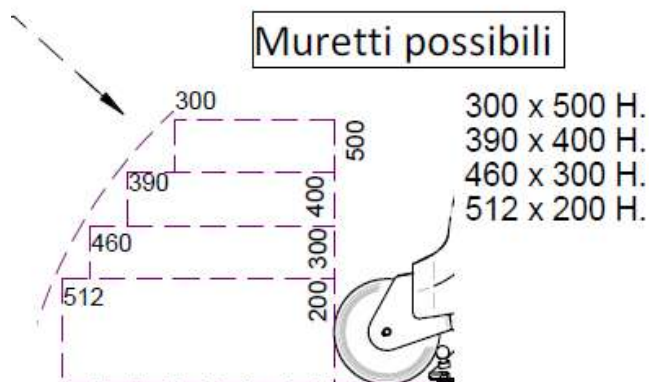
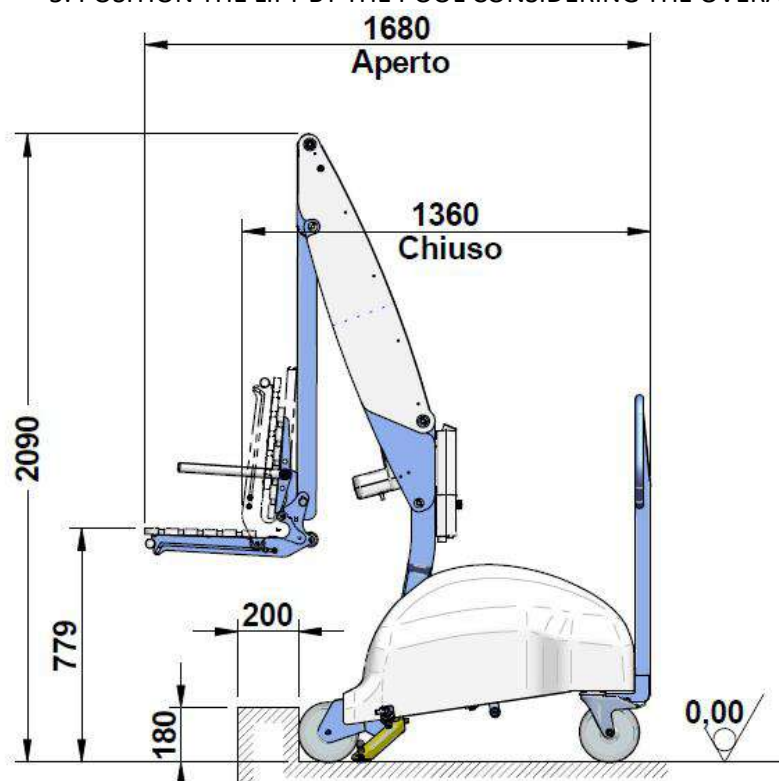


3. CHECK THAT THE EMERGENCY MUSHROOM-SHAPED BUTTON IS OFF



4. MOVE THE LIFT UP TO THE POOL EDGE

5. POSITION THE LIFT BY THE POOL CONSIDERING THE OVERALL DIMENSIONS SCHEME BELOW



6. ACTIVATE THE BRAKES ON THE REAR WHEELS



7. OPEN THE TWO STABILISING FEET ON THE RIGHT AND LEFT SIDE OF THE LIFT



8. LOCK THE STABILISERS WITH THE APPROPRIATE RED KNOBS



9. ADJUST THE SUPPORT FEET TO THE GROUND BY TURNING THE TWO RED KNOBS



10. OPEN THE SEAT OF THE LIFT BY PULLING OUT THE APPROPRIATE PIN, REMOVING THE LOCKING PIN.



11. AFTER HAVING CARRIED OUT THE ABOVE OPERATIONS, IT IS POSSIBLE TO USE THE LIFT BY MEANS OF THE PUSH BUTTON PANEL.



### OPERATIONS OF THE ARM WITH SEAT

#### PUSH BUTTON PANEL ARROWS

1. ARM ASCENT COMMAND
2. ARM DESCENT COMMAND
3. ARM ROTATION TO THE LEFT
4. ARM ROTATION TO THE RIGHT

PLEASE NOTE:

THE OPERATION OF RIGHT AND LEFT ROTATION OF THE ARM WITH SEAT MAY BE CARRIED OUT ONLY WITH THE CLOSED ARM.

**\*\*THERE IS A SAFETY SYSTEM THAT DOES NOT ALLOW THE ROTATION WITH THE OPEN ARM.**

**SECTION G (Maintenance)**Introduction

All operations, whether carried out by the operator or by the authorised workshop, must be recorded on the pages dedicated to control coupons in any case.

It is mandatory to carry out maintenance operations with the main switch switched off.

When washing the machine, adequately protect the components and electrical connections, as the use of direct jets and pressure on equipment and electrical connections could damage them.

All components of the portable pool lift are protected from the weather by painting or anti-corrosion surface treatments. However, we recommend that you periodically check that the protective treatments are intact. If necessary, repeat the treatment.

Check list

This table is a summary of the main maintenance operations for the mobile pool lift.

**After 6 months of use**

- Check the pins and joints
- Check the safety belt connections
- Check the electrical connections
- Check the oil tank level
- Check for leaks on jacks
- Clean the oil filter

**Every 12 months**

- Test the hydraulic cylinders
- Check the calibration of the hydraulic system and the efficiency of the safety devices
- Check the structure
- Check / replace the applied plates
- Replace hydraulic oil and oil filter
- Check the pins and joints
- Check the safety belt connections
- Check and verify the electrical connections

If the portable pool lift is to be left idle for more than three months, it is necessary that all the safety and control devices and mechanical parts are checked by an authorised/specialised workshop

Disposal

When the portable pool lift is out of order, it has to be taken to centres authorised by the laws in force for the disposal of waste of the same type as the mobile swimming pool lift.

**SECTION H (Service coupons)**

Check coupons

The maintenance work carried out by both the operator and the authorised workshop should be written in these pages, together with the date and signature of the person who carried out the work.

After 6 months of use	Date	Signature

After 12 months of use	Date	Signature

Maintenance suggestions

Maintenance ensures a long life to your lift.

It is recommended to dry and clean all the electronic components.

We recommend protecting the machine to prevent moisture on the control box and battery.

If the lift is used outdoor, an optional full waterproof cover is available and recommended.

The lift should always be stored in a dry place and protected from atmospheric agents after use.

If the lift is not going to be used for a long period, we recommend that you still charge its batteries on a frequent and regular basis.

Keep the battery on the charger in a dry area at a constant temperature.

Cover the unit and store it in a dry place, away from pool chemicals.

Wash the seat with a disinfectant solution, then rinse with fresh water and dry the entire unit after use.

Chemicals used inside pools for a long time can be corrosive.

Spray the gear assembly with lubricant and/or anti-rust product.

