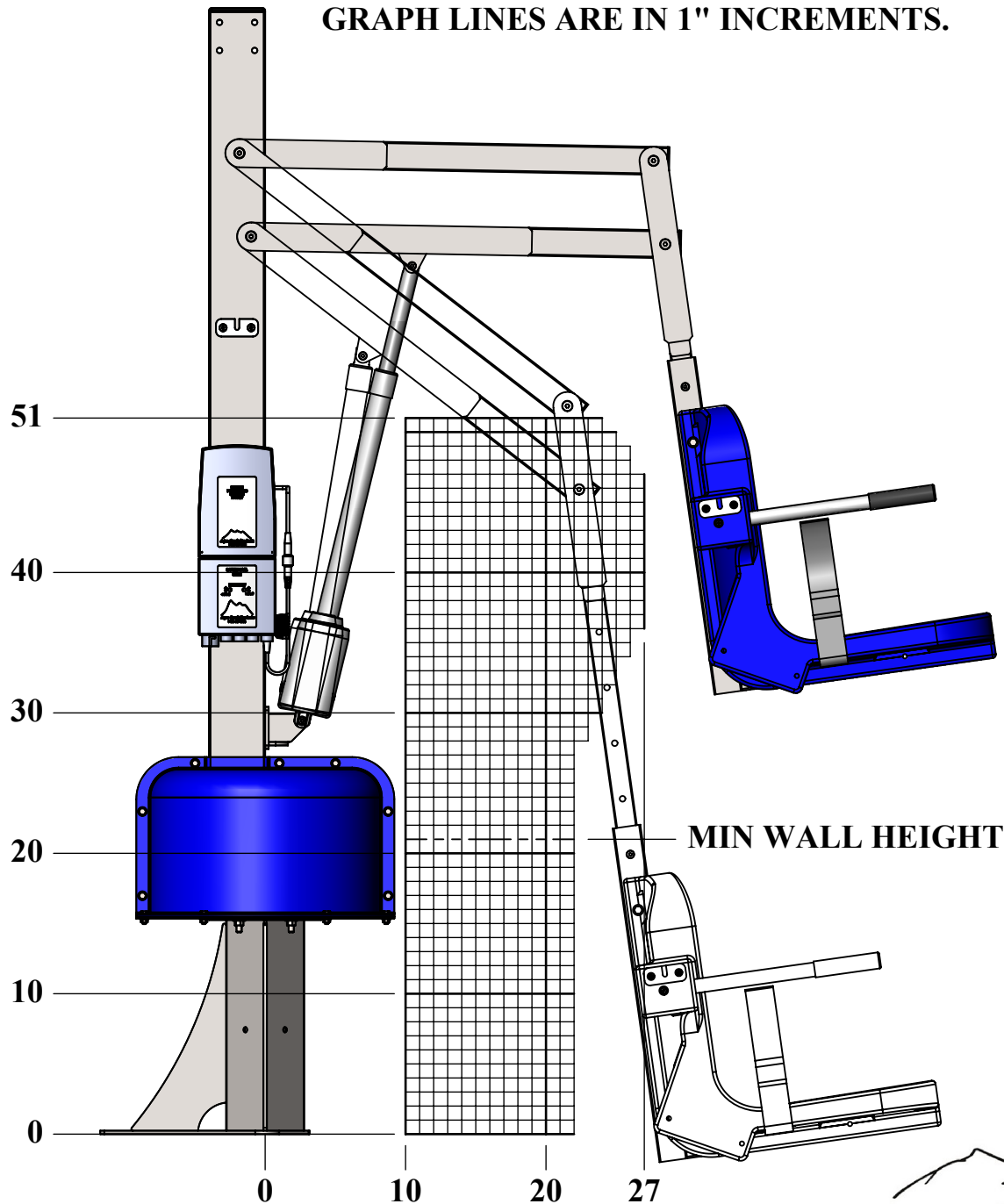


SPA LIFT ULTRA GRAPH CHART

MINIMUM SETBACK = 10"

MAXIMUM WALL THICKNESS = 17"

DRAW YOUR PROFILE ON THE GRAPH USING THE FRONT ANCHORS AS YOUR START POINT. ALL GRAPH LINES ARE IN 1" INCREMENTS.



strack Liftsysteme

Strack AG
Ebnatstrasse 125
8200 Schaffhausen

Tel. 0800 600 500
Fax 0800 600 900

www.strack.ch
info@strack.ch

ZSR-Nr. K 7514.14
NIF-Nr. 366 824
MWST-Nr. 567 970

PRODUCT:		SPA LIFT ULTRA	
PART #:		F-005SLU	
SCALE:	1:12	DATE:	7/17/2019
DRAWN BY:	KR	REVISION:	03