

EZ 2 LIFT

strack Liftsysteme

Strack AG
Ebnetstrasse 125
8200 Schaffhausen

Tel. 0800 600 500
Fax 0800 600 900

www.strack.ch
info@strack.ch

ZSR-Nr. K 7514.14
NIF-Nr. 366 824
MWST-Nr. 567 970

Item# F-EZPL2

The EZ 2 Lift is an affordable, manually operated lift designed for residential use. The EZ 2 Lift accommodates pool wall heights up to 16 inches. This feature makes it ideal for both in and above ground applications.

This lift is constructed of stainless steel and protected against corrosion with a durable, powder coat finish. It comes with a mesh sling seat, but other seat options are available.

The EZ 2 Lift comes with a rotation bar allowing the attendant to rotate the lift with ease.

FEATURES:

- 400 lb (181 kg) weight capacity
- Manually operated hydraulic ram
- Clears walls up to 15" (38 cm) high
- Durable mesh sling - standard size: 38"x20" (96 cm x 51 cm)
- Adjustable stainless steel chains
- Removable manual rotation bar
- 5 year structural warranty
- 1 year hydraulic ram warranty

OPTIONS/ACCESSORIES

F-033EZA	Anchor, standard, 1.9" ID x 6" deep
F-30220	Anchor, 1.9" ID x 10" deep for pavers
F-035EZSM	Anchor, surface mount
F-30600	Anchor, wood deck applications
F-EZBL-C	Cover, standard lockable, blue
F-EZBL-CG	Cover, standard lockable, gray
F-EZBL-CT	Cover, standard lockable, tan
F-440EZHSC	Hard seat cover
F-0320HSO-4C	Hard seat option

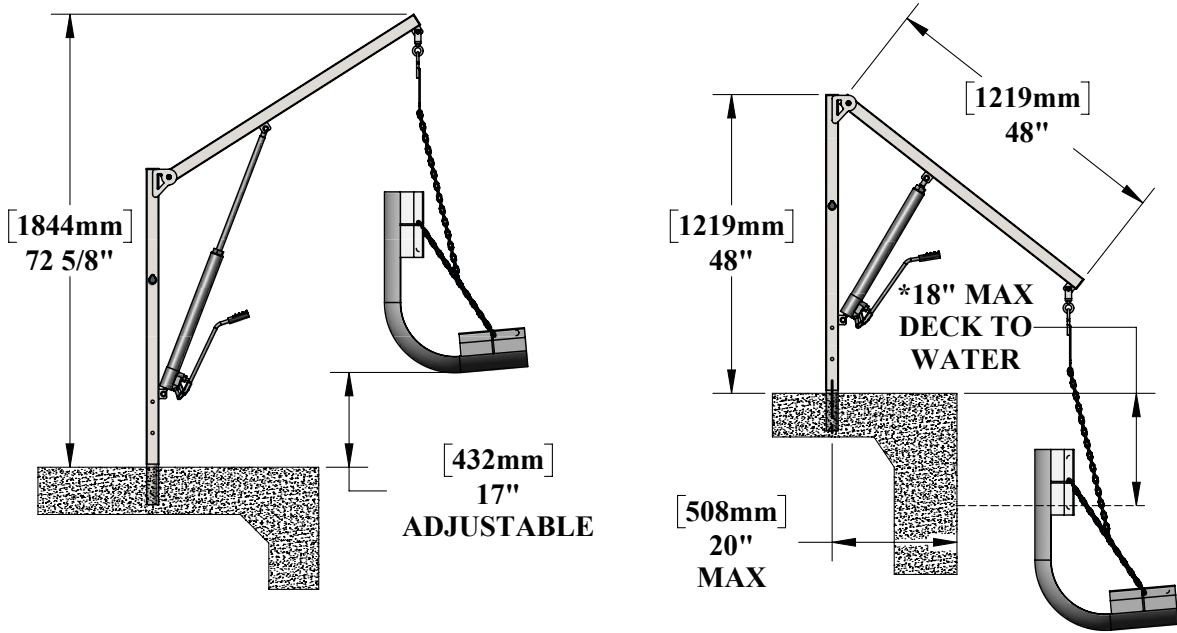


PROUDLY SOLD BY:

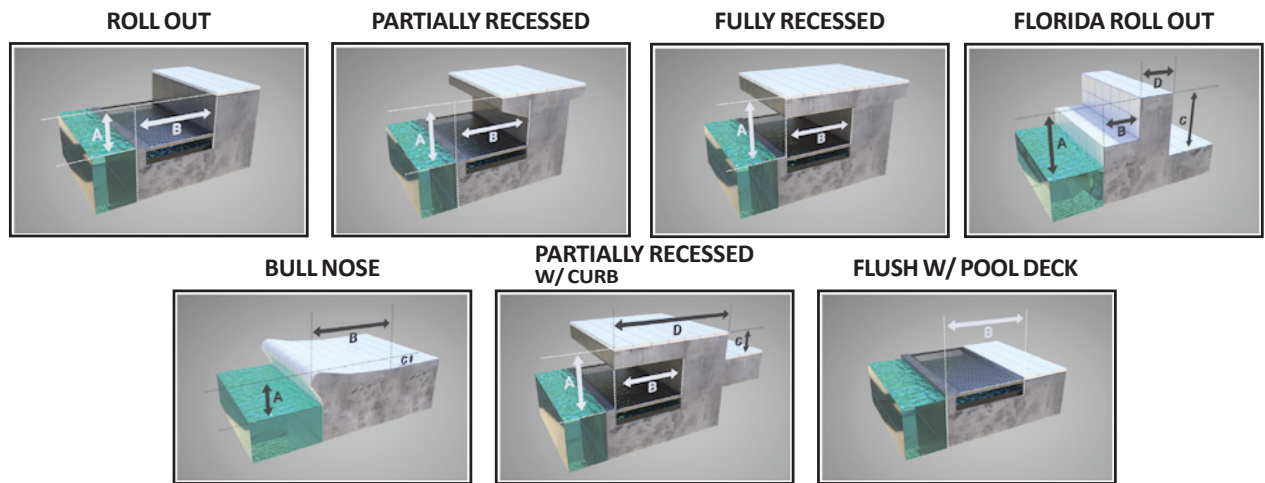
EZ SERIES

THE EZ 2 POOL LIFT

PRODUCT SPECIFICATIONS



APPLICABLE POOL PROFILES



To confirm specific application go to www.aquacreek.com for our Pool Lift Selector
 Become a member of our new Dealer and Architect page. Access to CAD blocks,
 CSI specs and sales materials.