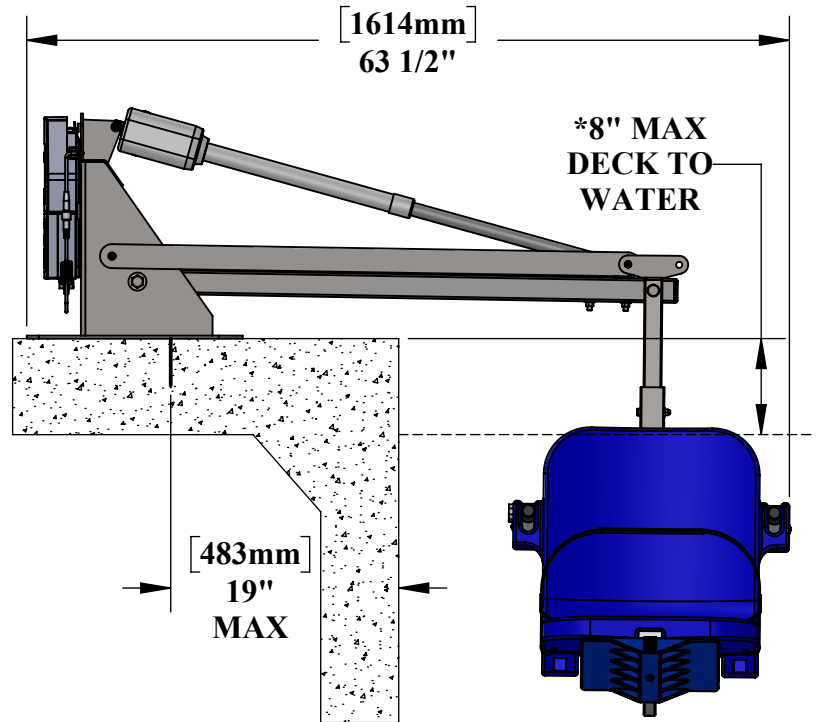
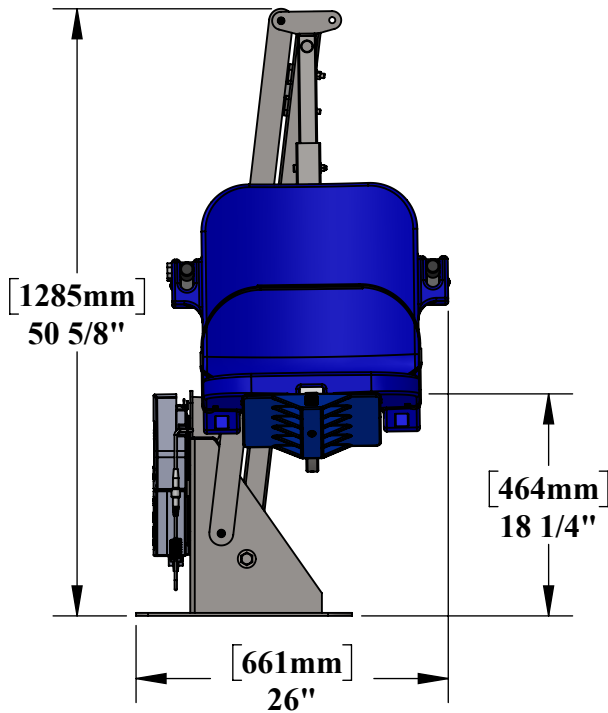


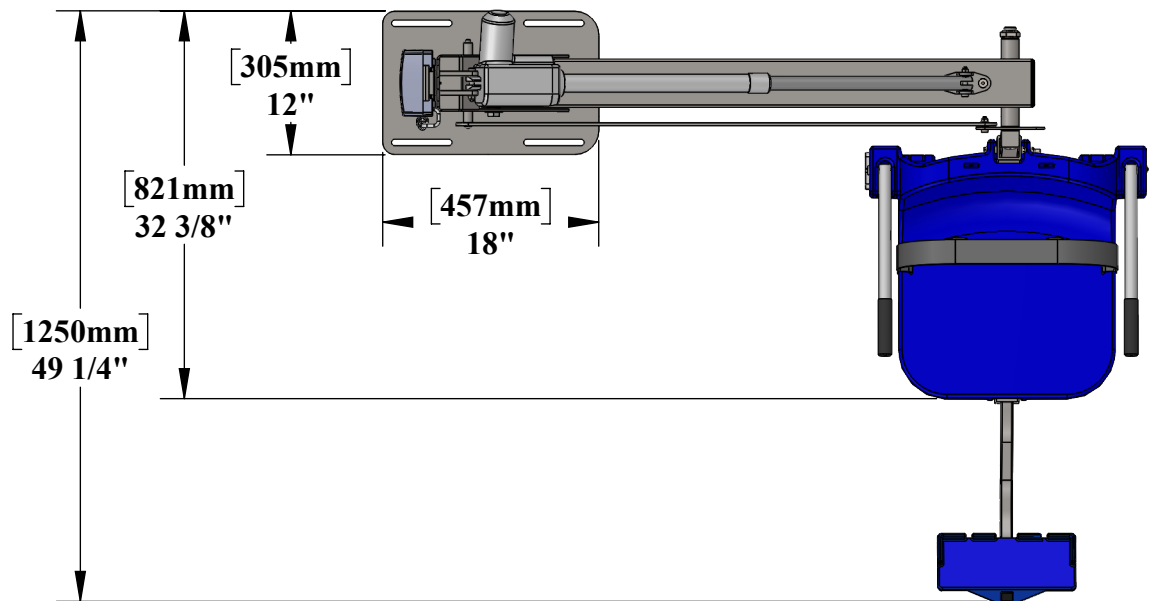
# ADMIRAL POOL LIFT

PATENTS (7,249,386 B2) (D507,7695)

**\*MEASUREMENT TAKEN WITH THE LIFT AT FULL LOAD**



**PRODUCT WEIGHT: 110lbs [49kg]**  
**MAX WEIGHT CAPACITY: 450lbs [204kg]**  
**MIN ANCHOR SETBACK: 14.5"**  
**MAX ANCHOR SETBACK: 19"**  
**MAX WATER DRAFT: 8"**  
**SEAT ADJUSTMENT: SEAT CAN BE ADJUSTED 6" IN 2" INCREMENTS.**



**strack** Liftsysteme

Strack AG  
 Ebnatstrasse 125  
 8200 Schaffhausen  
 Tel. 0800 600 500  
 Fax 0800 600 900  
 www.strack.ch  
 info@strack.ch  
 ZSR-Nr. K 7514.14  
 NIF-Nr. 366 824  
 MWST-Nr. 567 970

PRODUCT:		ADMIRAL	
PART #:		F-ADMRL	
SCALE:	1:16	DATE:	8/26/2019
DRAWN BY:	KR	REVISION:	04