



# Aqua Creek Products

THE LEADERS IN RECREATION, FITNESS, AND ABILITY!



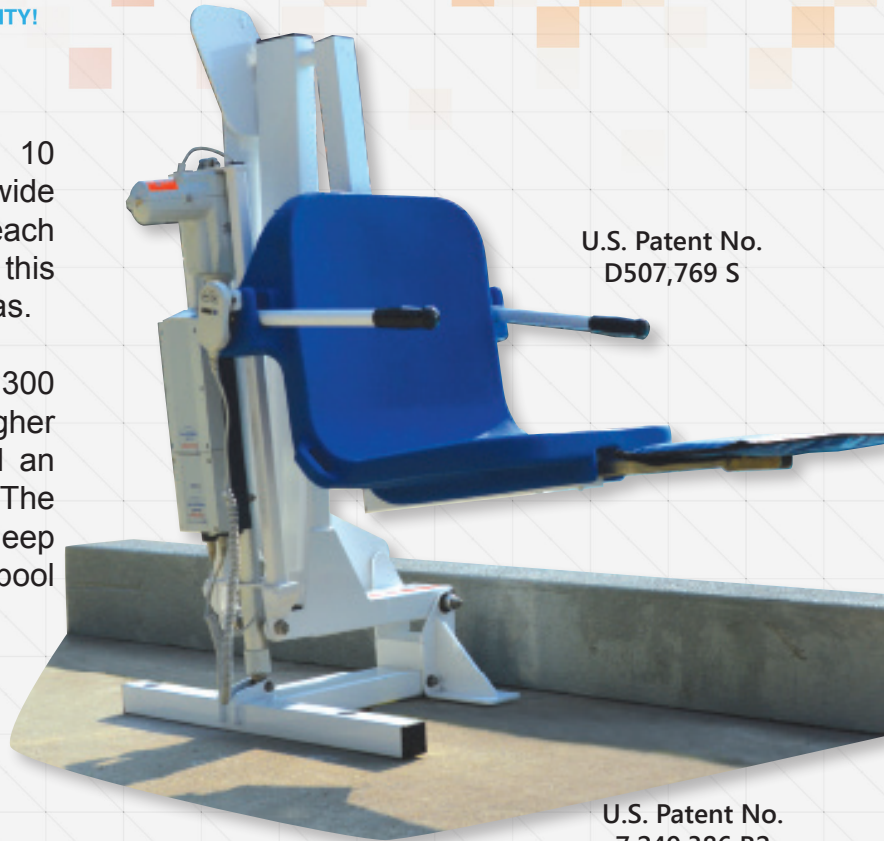
## Item# F-PPXR-NA

The Ambassador features an additional 10 inches of reach allowing clearance for wide gutters and spa benches. This extended reach can also clear a curb or pool wall, making this lift ideal for raised perimeter pools and spas.

Highlights of the Ambassador include a 300 pound weight capacity, extended reach, higher seat for easier wheelchair transfers, and an increased setback of up to 38 inches. The Ambassador now comes standard as a deep draft lift, allowing for a wider variety of pool applications.

### FEATURES:

- 300 lb (136 kg) weight capacity
- Independently verified to ADA standards
- Specially designed extended reach
- Pull-out leg rest comes standard
- Flip-up armrests
- Water resistant handset
- Rechargeable battery with wall mount charger
- 5 year structural warranty
- 5 year pro-rated electronics warranty



U.S. Patent No.  
D507,769 S

U.S. Patent No.  
7,249,386 B2

Available in a variety of accent colors  
(blue plastics standard)



Available in a variety of powder coat colors



### OPTIONS/ACCESSORIES:

ITEM #	DESCRIPTION
F-910SAJP	Anchor kit, standard with 4" inserts
F-910SAJP-8	Anchor kit, standard with 8" inserts for use with pavers
F-120PPC	Cover, standard lockable, blue
F-120PPC-T	Cover, standard lockable, tan
F-422PLH-2	Headrest
F-044SCH	Solar charging station
F-914STC	Transport cart

ADA COMPLIANT

**strack** Patienten- und Pflegebedarf

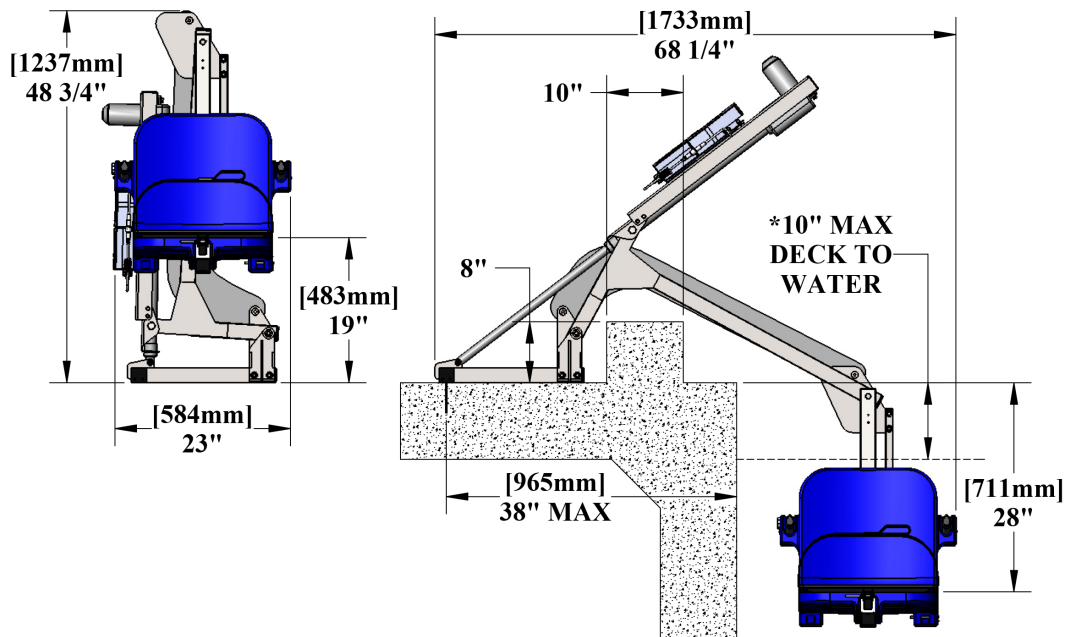
Strack AG 052 630 31 60  
Ebnatstrasse 125 www.strack.ch  
8200 Schaffhausen info@strack.ch

The Ambassador Lift

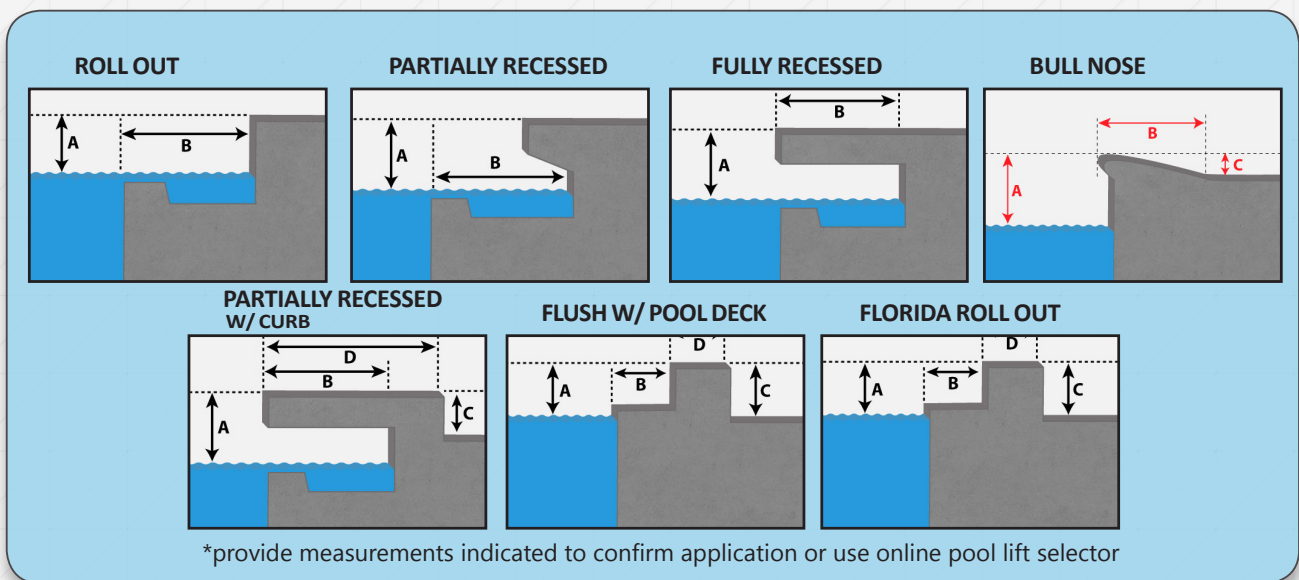
# The Ambassador Lift

## PRODUCT SPECIFICATIONS

\*MEASUREMENT TAKEN WITH THE LIFT AT FULL LOAD\*



## APPLICABLE POOL PROFILES



To confirm specific application go to [www.aquacreek.com](http://www.aquacreek.com) for our **Pool Lift Selector**



Become a member of our new **Dealer and Architect** page. Access to CAD blocks, CSI specs and sales materials.